

KOMPAN proudly presents a specially designed fitness site for
Bristol Parks & Recreation
Rockwell Park Outdoor Gym



Contents

Fitness Site Design

Scope of work & pricing

References

About KOMPAN

Product Sheets

Turnkey solution

Warranties & Guarantees

General Assumptions



Fitness Site Design

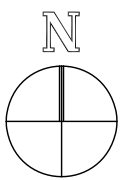


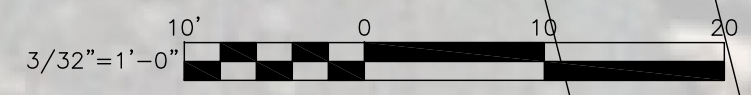


NOT FOR CONSTRUCTION

GENERAL NOTES:
 PRINTED IN USA BY KOMPAN © 2018 KOMPAN, INC. AUSTIN, TX. USA 800-426-9788
 ALL COMPOSITE STRUCTURES SHOWN REQUIRE A SITE GRADE OF 1% MAXIMUM.
 FOR SURFACE MOUNT OPTIONS, THE CONCRETE REQUIREMENTS MAY BE UP TO 5 1/2" OF 3,500 PSI MINIMUM COMPRESSIVE STRENGTH. CONTACT KOMPAN FOR SPECIFIC PRODUCT REQUIREMENTS.
 SITE REPRESENTATION IS BASED UPON ESTIMATED SITE DIMENSIONS AND CANNOT BE USED AS AN ACCURATE WAY OF DETERMINING SITE AREA.

LAYOUT IS IN ACCORDANCE WITH ASTM F3101

-	-	-	
NO.	REVISION	ISSUE	DATE
REVIEW BY:	Design	REPS NAME:	SumBer
	DATE:	072221	
	DRAWN BY:	Diahsu	
	SHEET:	L1.1	



**Rockwell Park
Fitness Area**





Rockwell Park Outdoor Gym

KOMPAN⁺
Let's play

KOMPAN⁺
Let's play





Rockwell Park Outdoor Gym

KOMPAN
Let's play



Scope of work & pricing



References



About KOMPAN

Established in 1970 KOMPAN has more than **50 years of experience in designing, manufacturing and installing outdoor playgrounds and fitness areas** all over the world – every day striving to deliver high quality playgrounds and fitness areas that provide outstanding performance and bring communities together.

Press play to see more ▶



KOMPAN Play structure from 1970

A few KOMPAN facts

- Thousands of [unique playgrounds & fitness areas](#) designed, manufactured and installed every year.
- Main US office located in Austin, Texas.
- More than 1,250 employees worldwide.
- More than 100 US employees across 15 states.
- Own 500,000 sq. ft. manufacturing facilities.
- [IPEMA certified](#) products.
- All products are manufactured to ISO 14001 requirements and, as a minimum, meet relevant ASTM safety standards.
- Turnkey provider of equipment, sitework, installation, surfacing and other site amenities.
- Network of 50 installation teams across the US.



KOMPAN Play structure from today ▶



KOMPAN Fitness equipment from today ▶



Main US office, Austin, Texas



KOMPAN manufacturing facilities ▶

Product Sheets



Pull Up Station Pro

FSW208



The Pull-Up Bar is made from solid steel and has a diameter of 1.26 inches. This is an ideal size for both men and women to have a good grip. The vertical ladder can be used like a wall, offering a spot for varied difficulty levels for handstand push-ups, Bulgarian split squats and push-ups. Additionally, the vertical ladder is perfect for stretching and offers a step up for

reaching the pull-up bar.

Item no. FSW20801-Custom 20127719

General Product Information

Dimensions LxWxH 9'0"x5"x7'10"

Age group 13+

Capacity (users) 2

Color options 



See KOMPAN Fit app for more



Pull Up Station Pro

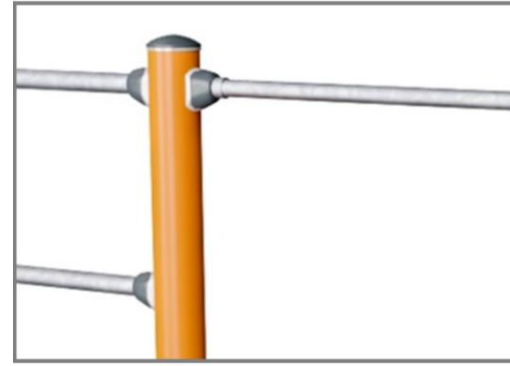
FSW208



Post are made of 101.6 x 2mm, pre-galvanized carbon steel and powder coated, a great protection to all conditions.



The connectors are made of die-cast aluminium, specially alloyed for the outdoor environments and heavy usage. The screws attaching the connectors are stainless steel and protected by zinc washers.



All bars intended for pull ups are made of solid, ø32mm x 138 m, hot dip galvanized, S235JR steel bars. This diameter gives the right grip for everyone.



All KOMPAN fitness products are compliant with the ASTM F3101 & EN16630 Outdoor Fitness Standards. Load tests are performed as a static test by adding dynamic factors as well as safety factors to the specified load of 78kg per user. A product intended for 1 user is loaded with 420kg.



The information sign is made of a PA6 (Polyamide) and shows the most relevant exercise and a QR code. When scanned the QR code will link to an animated illustration of the exercise and offers the possibility of downloading the KOMPAN sport & fitness App, which will provide a large amount of exercises and workouts.



The pull up bar is mounted at a height of 233cm with a clean work out space underneath, next to a vertical ladder with 6 horizontal bars. The spaces in between the bars is 38cm.

Item no. FSW20801-Custom 20127719

Installation Information

Max. fall height	7'8"
Safety surfacing area	136 ft2
Number of installers	2
Total installation time	3.2
Excavation volume	0.12 yd3
Concrete volume	0.04 yd3
Footing depth (standard)	2'11"
Shipment weight	216 lbs
Anchoring options	In-ground ✓ Surface ✓

Warranty Information

Hot dip galvanized steel	Lifetime
Post	10 years
Connectors	10 years
Spare parts guaranteed	10 years

Parallel Bars

FSW201



Item no. FSW20100-Custom 20127718

General Product Information

Dimensions LxWxH 6'5"x2'1"x3'6"

Age group 13+

Capacity (users) 2

Color options 



See KOMPAN Fit app for more



Street workout is a physical activity that symbolizes the freedom of movement and encourages socializing. It is a combination of athletics, calisthenics and other sports, and mostly performed in the public space. A Parallel Bar can be found on every street workout area to train the upper body and core stability. But also in an Obstacle Course, the Parallel Bar fits

in really well. The rounded corners make it easy to swing your legs across the Parallel Bars, making it safe to try new tricks without the risk of injuries.



Parallel Bars

FSW201



Post are made of 101.6 x 2mm, pre-galvanized carbon steel and powder coated, a great protection to all conditions.



The connectors are made of die-cast aluminium, specially alloyed for the outdoor environments and heavy usage. The screws attaching the connectors are stainless steel and protected by zinc washers.



Bars intended as grips during exercises are made of hot-dip galvanized steel ø38mm. A great diameter to support the wrist when doing dips or handstands.

Item no. FSW20100-Custom 20127718

Installation Information

Max. fall height	3'6"
Safety surfacing area	86 ft2
Number of installers	2
Total installation time	2.6
Excavation volume	0.14 yd3
Concrete volume	0.07 yd3
Footing depth (standard)	2'11"
Shipment weight	158 lbs
Anchoring options	In-ground ✓ Surface ✓

Warranty Information

Hot dip galvanized steel	Lifetime
Post	10 years
Connectors	10 years
Spare parts guaranteed	10 years



All KOMPAN fitness products are compliant with the ASTM F3101 & EN16630 Outdoor Fitness Standards. Load tests are performed as a static test by adding dynamic factors as well as safety factors to the specified load of 78kg per user. A product intended for 1 user is loaded with 420kg.



The information sign is made of a PA6 (Polyamide) and shows the most relevant exercise and a QR code. When scanned the QR code will link to an animated illustration of the exercise and offers the possibility of downloading the KOMPAN sport & fitness App, which will provide a large amount of exercises and workouts.



KOMPAN fitness products are standard available in Orange, RAL2010 and Grey, RAL7012. All other RAL colors are available on request. It will always be possible to match the surroundings or color theme!

Sit Up Bench

FSW203



Item no. FSW20300-Custom 20127716

General Product Information

Dimensions LxWxH 5'0"x2'11"x2'8"

Age group 13+

Capacity (users) 1

Color options 



The Bench provides a perfect training for the core and lower back muscles by doing exercises such as leg lifts and sit ups. Easy grips are created to make sure anyone can do the exercise in a correct way. The durable Ekogrip® surfacing offers perfect grip, allowing the bench to be used as a jump box for performing various step and jump exercises

under all weather conditions. The Bench has a clear instruction sign showing the basic exercise and a QR code. By clicking on the QR code users can connect to the KOMPAN Fitness App, where they will find multiple exercises and workouts at every level.



Sit Up Bench

FSW203



Post are made of 101.6 x 2mm, pre-galvanized carbon steel and powder coated, a great protection to all conditions.



The connectors are made of die-cast aluminium, specially alloyed for the outdoor environments and heavy usage. The screws attaching the connectors are stainless steel and protected by zinc washers.



The surface is made of Ekogrip™ panels, consisting of 15mm polyethylene with a 3mm top-layer of thermoplastic rubber. The Ekogrip™ panels have a non-skid effect for comfortable and safe training at all weather circumstances.



All KOMPAN fitness products are compliant with the ASTM F3101 & EN16630 Outdoor Fitness Standards. Load tests are performed as a static test by adding dynamic factors as well as safety factors to the specified load of 78kg per user. A product intended for 1 user is loaded with 420kg.



The information sign is made of a PA6 (Polyamide) and shows the most relevant exercise and a QR code. When scanned the QR code will link to an animated illustration of the exercise and offers the possibility of downloading the KOMPAN sport & fitness App, which will provide a large amount of exercises and workouts.



KOMPAN fitness products are standard available in Orange, RAL2010 and Grey, RAL7012. All other RAL colors are available on request. It will always be possible to match the surroundings or color theme!

Item no. FSW20300-Custom 20127716

Installation Information

Max. fall height	2'1"
Safety surfacing area	108 ft2
Number of installers	2
Total installation time	2.9
Excavation volume	0.14 yd3
Concrete volume	0.00 yd3
Footing depth (standard)	2'11"
Shipment weight	111 lbs
Anchoring options	In-ground ✓ Surface ✓

Warranty Information

EcoCore HDPE	Lifetime
Post	10 years
Connectors	10 years
Hot dip galvanized steel	Lifetime
Spare parts guaranteed	10 years

Step, 24 in

FAZ30300



Item no. FAZ30300-Custom 20127714

General Product Information

Dimensions LxWxH 2'0"x1'4"x1'11"

Age group 13+

Capacity (users) 1

Color options 



See KOMPAN Fit app for more



The step is one of the most simple yet highly versatile training tools. Many exercises can be done with it, from simple step-ups to plyometric jumps. Regular sessions will provide both cardiovascular and muscular endurance. Incorporating upper and lower body movements will improve balance and agility, and the constant push up onto the step will increase leg

strength.



Step, 24 in

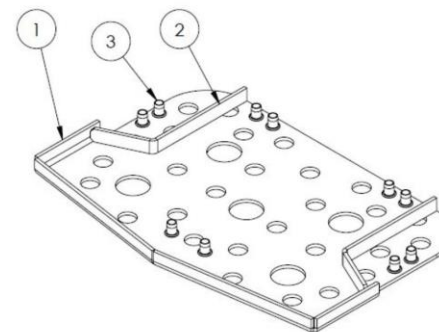
FAZ30300



The support frame is $\varnothing 48.3 \times 4$ mm, carbon steel, with a hot-dip galvanized surface according to ISO1461, and a powder coating corrosion class C3 according to ISO12944-2. Lead content for surfaces are below 90ppm.



The surface is produced of recycled SBR (Styrene Butadiene Monomer, Synthetic Rubber) for optimal grip during jumping and step on step off exercises under all weather circumstances.



A 5 mm hot-dip galvanized carbon steel plate must be molded inside the SBR to offer optimal stability and optimize the mounting of the step to the frame.

Item no. FAZ30300-Custom 20127714

Installation Information

Max. fall height	1'11"
Safety surfacing area	85 ft ²
Number of installers	1
Total installation time	1.7
Excavation volume	0.17 yd ³
Concrete volume	0.09 yd ³
Footing depth (standard)	2'11"
Shipment weight	109 lbs
Anchoring options	In-ground ✓ Surface ✓

Warranty Information

SBR rubber	2 years
Frame	10 years
Spare parts guaranteed	10 years



All KOMPAN fitness products are compliant with the ASTM F3101 & EN16630 Outdoor Fitness Standards. Load tests are performed as a static test by adding dynamic factors as well as safety factors to the specified load of 78kg per user. A product intended for 1 user is loaded with 420kg.

Step, 8 in

FAZ30100



Item no. FAZ30100-Custom 20127721

General Product Information

Dimensions LxWxH 2'0"x1'4"x8"

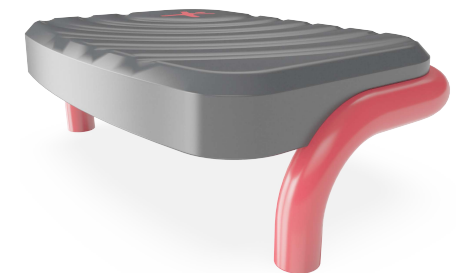
Age group 13+

Capacity (users) 1

Color options



See KOMPAN Fit app for more



The step is one of the most simple yet highly versatile training tools. So many exercises can be done with it, from simple step ups to plyometric jumps. Regular sessions will provide both cardiovascular and muscular endurance. Incorporating upper and lower body movements will improve balance and agility, and the constant push up onto the step will increase leg

strength.



Step, 8 in

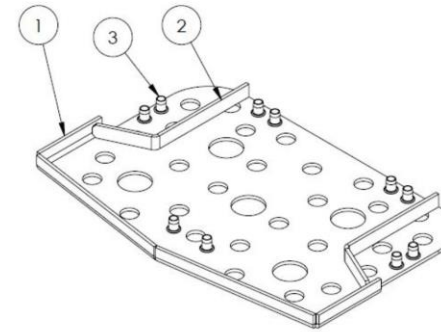
FAZ30100



The support frame is $\varnothing 48.3 \times 4$ mm, carbon steel, with a hot-dip galvanized surface according to ISO1461, and a powder coating corrosion class C3 according to ISO12944-2. Lead content for surfaces are below 90ppm.



The surface is produced of recycled SBR (Styrene Butadiene Monomer, Synthetic Rubber) for optimal grip during jumping and step on step off exercises under all weather circumstances.



A 5 mm hot-dip galvanized carbon steel plate must be molded inside the SBR to offer optimal stability and optimize the mounting of the step to the frame.

Item no. FAZ30100-Custom 20127721

Installation Information

Max. fall height	8"
Safety surfacing area	85 ft ²
Number of installers	1
Total installation time	1.7
Excavation volume	0.17 yd ³
Concrete volume	0.09 yd ³
Footing depth (standard)	2'11"
Shipment weight	99 lbs
Anchoring options	In-ground <input checked="" type="checkbox"/> Surface <input checked="" type="checkbox"/>

Warranty Information

SBR rubber	2 years
Frame	10 years
Spare parts guaranteed	10 years



All KOMPAN fitness products are compliant with the ASTM F3101 & EN16630 Outdoor Fitness Standards. Load tests are performed as a static test by adding dynamic factors as well as safety factors to the specified load of 78kg per user. A product intended for 1 user is loaded with 420kg.

Step, 16 in

FAZ30200



Item no. FAZ30200-Custom 20127713

General Product Information

Dimensions LxWxH 2'0"x1'4"x1'3"

Age group 13+

Capacity (users) 1

Color options 



See KOMPAN Fit app for more



The step is one of the most simple yet highly versatile training tools. Many exercises can be done with it, from simple step-ups to plyometric jumps. Regular sessions will provide both cardiovascular and muscular endurance. Incorporating upper and lower body movements will improve balance and agility, and the constant push up onto the step will increase leg

strength.



Step, 16 in

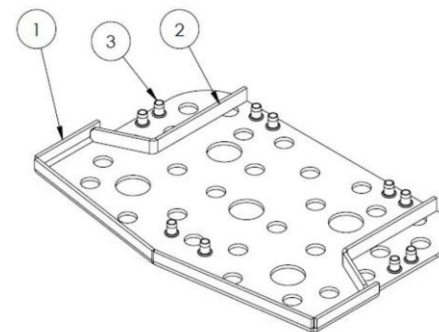
FAZ30200



The support frame is $\varnothing 48.3 \times 4$ mm, carbon steel, with a hot-dip galvanized surface according to ISO1461, and a powder coating corrosion class C3 according to ISO12944-2. Lead content for surfaces are below 90ppm.



The surface is produced of recycled SBR (Styrene Butadiene Monomer, Synthetic Rubber) for optimal grip during jumping and step on step off exercises under all weather circumstances.



A 5 mm hot-dip galvanized carbon steel plate must be molded inside the SBR to offer optimal stability and optimize the mounting of the step to the frame.

Item no. FAZ30200-Custom 20127713

Installation Information

Max. fall height	1'3"
Safety surfacing area	85 ft ²
Number of installers	1
Total installation time	1.7
Excavation volume	0.17 yd ³
Concrete volume	0.09 yd ³
Footing depth (standard)	2'11"
Shipment weight	104 lbs
Anchoring options	In-ground <input checked="" type="checkbox"/> Surface <input checked="" type="checkbox"/>

Warranty Information

SBR rubber	2 years
Frame	10 years
Spare parts guaranteed	10 years



All KOMPAN fitness products are compliant with the ASTM F3101 & EN16630 Outdoor Fitness Standards. Load tests are performed as a static test by adding dynamic factors as well as safety factors to the specified load of 78kg per user. A product intended for 1 user is loaded with 420kg.

Arm Bike

FAZ51100



Item no. FAZ51100-Custom 20127708

General Product Information

Dimensions LxWxH 3'1"x1'9"x3'11"

Age group 13+

Capacity (users) 1

Color options 



KOMPAN has created adjustable, interactive Cardio equipment that is at the same level of quality and effectiveness as what you expect from equipment from an indoor fitness center. The Arm Bike can be used comfortably from several positions so it is truly inclusive. It can be used from a wheelchair giving a great workout for the upper body. When the exercise

is done from a standing position it is a full-body workout, engaging all big muscle groups. The patented, self-powered resistance units create a real road cycle experience. The resistance can adapt automatically, depending on the pedaling speed, or the users can choose to manually change the resistance on the KOMPAN App.



Arm Bike

FAZ51100



The seat is made of a Polyurethane Rubber and has a steel insert plate which connects it to the steel frame. The seat is positioned under a 12 degree angle, accommodating seating heights from 550-620mm.



The cover is made of one of the hardest materials in the market, a Lexan Copolymer EXL9330 and has a thickness of 4mm. This cover can withstand any impact and will protect the electronics in the best possible way.



The Q-factor of the arm bike is 175mm, the crank is made of 18 mm stainless steel and connects the pedal arms which are casted stainless steel (grade 304) parts. The length of the pedal arms is 170mm and the pedals are connected with standard bike fittings.



The Innovative self-powered electrical motor and gear providing a virtual flywheel to give real cycle experience. The resistance works as an automatic drive and adapts automatically to the pedaling speed. The users can overwrite the automatic drive manually by changing the resistance in steps (26 - Watts) through the App.



The ergonomically shaped handles accommodate 3 exercising positions: standing, seated in a wheelchair, or seated on the seat. The handles have a diameter of $\varnothing 36\text{mm}$ and are placed under a 30 degree angle. The top coat is Polyurea, which gives good protection, grip, and isolation.



You can connect the cardio machine to your phone or tablet via Bluetooth. This will provide instant feedback on speed, distance, cadence, watts, calories burned, and time. You can also use your smart devices to manually adjust resistance (10 levels), have access to instructional and motivational videos, store, and share activity data online!

Item no. FAZ51100-Custom 20127708

Installation Information

Max. fall height	2'0"
Safety surfacing area	59 ft ²
Number of installers	1
Total installation time	2.2
Excavation volume	0.44 yd ³
Concrete volume	0.27 yd ³
Footing depth (standard)	27"
Shipment weight	229 lbs
Anchoring options	In-ground <input checked="" type="checkbox"/> Surface <input checked="" type="checkbox"/>

Warranty Information

Saddle	10 years
Frame	10 years
Handle	10 years
Electronics	2 years
Spare parts guaranteed	10 years

City Bike With Touchscreen

FAZ50101

KOMPAN
Let's play



Item no. FAZ50101-Custom 20127709	
General Product Information	
Dimensions LxWxH	3'2"x1'8"x4'6"
Age group	13+
Capacity (users)	1
Color options	



KOMPAN has created adjustable, interactive Cardio equipment which is at the same level of quality and impact you would expect from equipment from an indoor fitness center. The City bike is all about comfort. The entry is extremely low and the frame provides an upright riding style. The city bike saddle can be adjusted in height and is wide, providing a

comfortable ride for people of all sizes. The patented, self-powered resistance units creates a real road cycle experience. The resistance can adapt automatically, depending on the pedaling speed, or the users can choose to manually change the resistance on the 7" touchscreen or on the KOMPAN App.



City Bike With Touchscreen

FAZ50101



The saddle is made of a Polyurethane Rubber and has a steel insert plate which connects it to the aluminium saddle pin. The saddle can be adjusted to 13 different heights, using a stainless steel pop-pin.



The cover is made of one of the hardest materials in the market, a Lexan Copolymer EXL9330 and has a thickness of 4mm. This cover can withstand any impact and will protect the electronics in the best possible way.



The Q-factor of the arm bike is 175mm, the crank is made of 18 mm stainless steel and connects the pedal arms which are casted stainless steel (grade 304) parts. The length of the pedal arms is 170mm and the pedals are connected with standard bike fittings.



The Innovative self-powered electrical motor and gear providing a virtual flywheel to give real cycle experience. The resistance works as an automatic drive and adapts automatically to the pedaling speed. The users can overwrite the automatic drive manually by changing the resistance in steps (26 - Watts) through the App.



The handle bars is designed with multiple hand positions to accommodate different postures and riding styles. It is a casted Aluminium part with Polyurea coating for good grip and insulation.



You can connect the cardio machine to your phone or tablet via Bluetooth. This will provide instant feedback on speed, distance, cadence, watts, calories burned and time. You can also use your smart devices to manually adjust resistance (10 levels), have access to instructional and motivational videos, store and share activity data online!

Item no. FAZ50101-Custom 20127709	
Installation Information	
Max. fall height	3'3"
Safety surfacing area	59 ft2
Number of installers	1
Total installation time	2.3
Excavation volume	0.44 yd3
Concrete volume	0.27 yd3
Footing depth (standard)	27"
Shipment weight	250 lbs
Anchoring options	In-ground <input checked="" type="checkbox"/> Surface <input checked="" type="checkbox"/>

Warranty Information	
Saddle	10 years
Frame	10 years
Handle	10 years
Electronics	2 years
Spare parts guaranteed	10 years



City Bike With Touchscreen

FAZ50101

KOMPAN
Let's play



Item no. FAZ50101-Custom 20127710

General Product Information

Dimensions LxWxH 3'2"x1'8"x4'6"

Age group 13+

Capacity (users) 1

Color options 



KOMPAN has created adjustable, interactive Cardio equipment which is at the same level of quality and impact you would expect from equipment from an indoor fitness center. The City bike is all about comfort. The entry is extremely low and the frame provides an upright riding style. The city bike saddle can be adjusted in height and is wide, providing a

comfortable ride for people of all sizes. The patented, self-powered resistance units creates a real road cycle experience. The resistance can adapt automatically, depending on the pedaling speed, or the users can choose to manually change the resistance on the 7" touchscreen or on the KOMPAN App.



City Bike With Touchscreen

FAZ50101



The saddle is made of a Polyurethane Rubber and has a steel insert plate which connects it to the aluminium saddle pin. The saddle can be adjusted to 13 different heights, using a stainless steel pop-pin.



The cover is made of one of the hardest materials in the market, a Lexan Copolymer EXL9330 and has a thickness of 4mm. This cover can withstand any impact and will protect the electronics in the best possible way.



The Q-factor of the arm bike is 175mm, the crank is made of 18 mm stainless steel and connects the pedal arms which are casted stainless steel (grade 304) parts. The length of the pedal arms is 170mm and the pedals are connected with standard bike fittings.



The Innovative self-powered electrical motor and gear providing a virtual flywheel to give real cycle experience. The resistance works as an automatic drive and adapts automatically to the pedaling speed. The users can overwrite the automatic drive manually by changing the resistance in steps (26 - Watts) through the App.



The handle bars are designed with multiple hand positions to accommodate different postures and riding styles. It is a casted Aluminium part with Polyurea coating for good grip and insulation.



You can connect the cardio machine to your phone or tablet via Bluetooth. This will provide instant feedback on speed, distance, cadence, watts, calories burned and time. You can also use your smart devices to manually adjust resistance (10 levels), have access to instructional and motivational videos, store and share activity data online!

Item no. FAZ50101-Custom 20127710	
Installation Information	
Max. fall height	3'3"
Safety surfacing area	59 ft2
Number of installers	1
Total installation time	2.3
Excavation volume	0.44 yd3
Concrete volume	0.27 yd3
Footing depth (standard)	27"
Shipment weight	250 lbs
Anchoring options	In-ground ✓ Surface ✓

Warranty Information	
Saddle	10 years
Frame	10 years
Handle	10 years
Electronics	2 years
Spare parts guaranteed	10 years



Balance Station

FSW227



Item no. FSW22700-Custom 20127851

General Product Information

Dimensions LxWxH	6'8"x6'6"x4'1"
Age group	13+
Capacity (users)	4
Color options	



The Balance station trains ankle strength and stability. The four items in the station will have different difficulty levels that allows for progression and a challenge for every user type. At the same time, the placement of the four stations around the ring invites to moderate social interaction. Wobble trains ankle control and flexibility. It is present in two difficulty

levels. One that is stable and limited in its range of motion and one that is livelier and more dynamic. Rotation can be used for rotational flexibility of the torso and for lower limb balance and control standing on one or two feet. Half ball provides a fixed and stable platform to train ankle strength and flexibility.



Balance Station

FSW227



The double ROSTA element is made of casted iron and hot dip galvanized before painted. This ensures that the ROSTA element is a maintenance free, elastic joint which can be move in range of motion is 250 in any direction. Both wobbles have a different stiffness, difference is 45%.



The bearings used in the Twist are slide bearings made of polyoxymethylene, a material that has all the properties needed for a strong bearing: extremely low wear, high mechanical strength, Low moisture absorption and High abrasion resistance.



The half ball is $\varnothing 500 \times 250$. The material is SBR granular rubber, recycled SBR (Styrene Butadiene Monomer, Synthetic Rubber) UV stabilized to a maximum without use of heavy metal stabilizers, for optimal grip during jumping and step on step off exercises under all weather circumstances.



The $\varnothing 414$ mm top plate is made from 15mm Ekogrip®, a 15mm PE plate with a 3mm top-layer of thermoplastic rubber with non-skid effect. The height is 217mm and the range of motion is +/- 90°, with a EPDM rubber stop at each end.



Handrail intended as grips during exercises are made of hot-dip galvanized steel $\varnothing 38$ mm, a great diameter for a good grip and to support the wrist. The height of the handrail is 940mm from the top of the HPL plate. The distance between the rails is 900mm.



The information sign is made of a PA6 (Polyamide) and shows the most relevant exercise and a QR code. When scanned the QR code will link to an animated illustration of the exercise and offers the possibility of downloading the KOMPAN sport & fitness App, which will provide a large amount of exercises and workouts.

Item no. FSW22700-Custom 20127851

Installation Information

Max. fall height	10"
Safety surfacing area	178 ft ²
Number of installers	2
Total installation time	4.7
Excavation volume	0.56 yd ³
Concrete volume	0.26 yd ³
Footing depth (standard)	2'11"
Shipment weight	449 lbs
Anchoring options	In-ground <input checked="" type="checkbox"/> Surface <input checked="" type="checkbox"/>

Warranty Information

Hot dip galvanized steel	Lifetime
Post	10 years
ROSTA element	2 years
Bearing construction	5 years
Spare parts guaranteed	10 years

Flex Wheel & Pull Up

FSW237



Item no. FSW23700-Custom 20127712

General Product Information

Dimensions LxWxH	2'7"x3'1"x5'6"
Age group	13+
Capacity (users)	2
Color options	



The Flex Wheel is simple to use and requires little experience beforehand. The turning movement has a low-level resistance achievable by users at all levels. The ergonomically designed handles allow for natural wrist rotation and give the user the opportunity to do exercises from multiple positions. The wheel will develop shoulder and

upper body mobility. For really challenging exercises it can be used standing on one foot using one hand – either front-facing or sideways. The Leg Lift Station is an excellent piece of equipment for ab workouts. It allows users to exercise their abdominal muscles by performing leg lifts while holding themselves up in the chair. This exercise targets all of the

abdominal muscles.



Flex Wheel & Pull Up

FSW237



Steps are made of extruded aluminium with a non-skid surface. Aluminium has high corrosion resistance and ensures durability of the product. Steps have been mounted at heights of 34,7cm and 54,7cm this creates an easy access to reach the overhead activity



The ball grips are ø80mm and are made from black, vacuum formed polycarbonate (PC). Polycarbonate is extremely strong and can withstand a very high impact.



The frame of the leg lift is made from Ø38 x 2mm HDG steel tube. The support plates are made from 15mm Ekogrip®, a 15 mm PE plate with a 3 mm top-layer of thermoplastic rubber with non-skid effect.

The arm supports are 110 x 195mm, 580mm apart, and 1315mm above ground. The back support is 335 x 500mm. The opening in the back is 30 x 350mm.



The bearing house is made from hot dip galvanised steel. The bearing shaft is made from stainless steel AISI304. The bearing itself is made from Polyoxymethylene (POM), an engineering thermoplastic with a high stiffness, low friction, and excellent dimensional stability.



The information sign is made of a PA6 (Polyamide) and shows the most relevant exercise and a QR code. When scanned the QR code will link to an animated illustration of the exercise and offers the possibility of downloading the KOMPAN sport & fitness App, which will provide a large amount of exercises and workouts.



The ø800x19mm wheel is made from HDPE EcoCore? plate. EcoCore™ is a highly durable, ecofriendly material, which is not only recyclable after use, but also consists of a core produced from 100% recycled material. The core has a thickness of 15mm and is representing 80% of the total material.

Item no. FSW23700-Custom 20127712	
Installation Information	
Max. fall height	4'4"
Safety surfacing area	163 ft2
Number of installers	2
Total installation time	4.3
Excavation volume	0.29 yd3
Concrete volume	0.14 yd3
Footing depth (standard)	2'11"
Shipment weight	156 lbs
Anchoring options	
Warranty Information	
EcoCore HDPE	Lifetime
Hot dip galvanized steel	Lifetime
Post	10 years
Connector brackets	10 years
Spare parts guaranteed	10 years

Magnetic Bells

FAZ102



Item no. FAZ10200-Custom 20127707

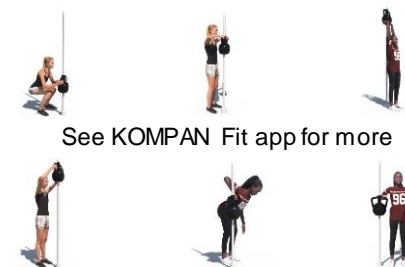
General Product Information

Dimensions LxWxH 12'10"x3'6"x10'11"

Age group 13+

Capacity (users) 3

Color options 



See KOMPAN Fit app for more



An innovative magnetic braking system allows the user to increase the resistance by increasing the speed of movement. The patented system also functions as a brake when someone drops the magnetic bells and will reduce the impact significantly. The option to choose between a light, medium or heavy training weight offers scalable training and

makes the Magnetic Bells an accessible piece of equipment for both the trained and the untrained. The Magnetic bells move freely up and down and can spin 360°. This allows the users to do exercises that are very similar to medicine balls and kettlebell exercises.



Magnetic Bells

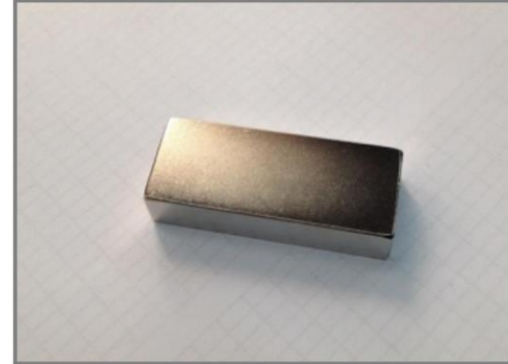
FAZ102



The uniquely designed Magnetic Bells are made of PUR and a reinforced aluminium steel frame that ensures a strong design. The ergonomically shaped handles guarantee a good and pleasant grip for all users.



The big instruction signs are made as a sandwich construction consisting of 2 x 6mm polycarbonate sheets with clear instructions printed on the inside of the panels. This gives a vandalism proof construction.



The magnets which are used are High Strength Neodymium magnets. The magnetic radiation is under strict control, the radiation level never exceeds 5 Gauss (0.5mT), which makes them perfectly safe to use as an training item.



The tubes on which the magnetic bells move are ø40mm, made of grade AW 6082-T6 aluminium and have an anodized layer of 20µm. The tube has a full steel core for structural integrity.



For ensuring the integrity of the main frame, the orange colored main posts are made of ø101.6 x 3mm steel posts, which are hot dip galvanized and powder coated Orange (RAL2010). The supportive posts receive the same surface treatment and are made of ø76.1 x 3.6mm steel tubes, powder coated grey (RAL7012).



All KOMPAN fitness products are compliant with the ASTM F3101 & EN16630 Outdoor Fitness Standards. Load tests are performed as a static test by adding dynamic factors as well as safety factors to the specified load of 78kg per user. A product intended for 1 user is loaded with 420kg.

Item no. FAZ10200-Custom 20127707

Installation Information

Max. fall height	0"
Safety surfacing area	126 ft ²
Number of installers	2
Total installation time	7.1
Excavation volume	1.03 yd ³
Concrete volume	0.52 yd ³
Footing depth (standard)	2'11"
Shipment weight	858 lbs
Anchoring options	In-ground ✓ Surface ✓

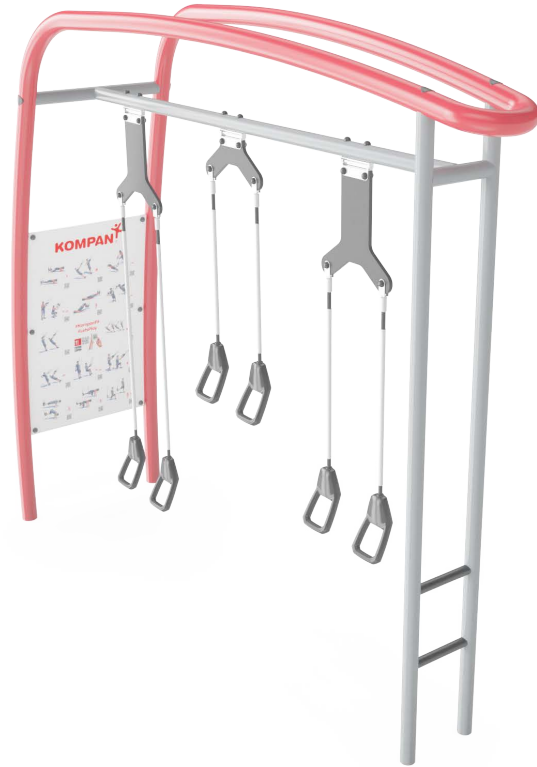
Warranty Information

Signs	10 years
Coated steel parts	10 years
PUR components	10 years
Spare parts guaranteed	10 years

Suspension Trainer

FAZ10101

KOMPAN
Let's play



Item no. FAZ10101-Custom 20127715

General Product Information

Dimensions LxWxH 12'10"x3'6"x10'11"

Age group 13+

Capacity (users) 3

Color options 



See KOMPAN Fit app for more



Suspension training is very effective because it simultaneously increases strength, balance, flexibility and core stability. With 49 exercises the suspension trainer is one of the most versatile pieces of exercise equipment on which all muscle groups can be trained in a functional and effective way, no matter what the fitness level of the user is. With the suspension trainer

everyone can workout at their own level due to the scalable resistance. The intensity of each exercise can be determined by adjusting the body position to add more or less resistance.



Data is subject to change without prior notice.

Suspension Trainer

FAZ10101



The uniquely designed handles are made of PUR and a reinforced aluminium frame that ensures a strong but light design. The ergonomically shaped handles guarantee a good and pleasant grip for all users.



The big instruction signs are made as a sandwich construction consisting of 2 x 6mm polycarbonate sheets with clear instructions printed on the inside of the panels. This gives a vandalism proof construction.



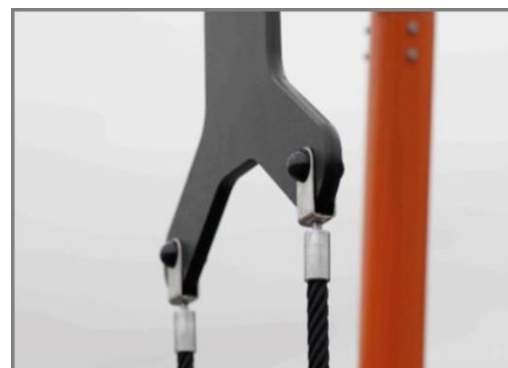
Ropes are made of UV-stabilized PA with inner steel cable reinforcement. The rope is induction treated in order to create a strong connection between steel and rope which leads to good wear resistance.



Each suspension trainer has 3 sets of handles positioned at 3 different heights, 40, 90 and 130cm. This allows people of all lengths to do the exercises and gives the user the opportunity to do over 40 different exercises.



For ensuring the integrity of the main frame, the orange colored main posts are made of $\varnothing 101.6 \times 3\text{mm}$ steel posts, which are hot dip galvanized and powder coated Orange (RAL2010). The supportive posts receive the same surface treatment and are made of $\varnothing 76.1 \times 3.6\text{mm}$ steel tubes, powder coated grey (RAL7012).



The KOMPAN suspension trainer has independently anchored handles with a 40cm distance between the ropes. It gives the user plenty of workout space between the ropes and makes the suspension trainer extremely easy and comfortable to use.

Item no. FAZ10101-Custom 20127715

Installation Information

Max. fall height	0"
Safety surfacing area	217 ft ²
Number of installers	2
Total installation time	6.4
Excavation volume	0.82 yd ³
Concrete volume	0.46 yd ³
Footing depth (standard)	2'11"
Shipment weight	755 lbs
Anchoring options	In-ground <input checked="" type="checkbox"/> Surface <input checked="" type="checkbox"/>

Warranty Information

Signs	10 years
Coated steel parts	10 years
PUR components	10 years
Ropes & nets	10 years
Spare parts guaranteed	10 years

Freestanding Sign

FAZ401



with custom red post



Side 1

Item no. FAZ401	
General Product Information	
Dimensions LxWxH	3'6"x4"x6'9"
Age group	13+
Capacity (users)	-
Color options	



The 2-sided Freestanding Sign is always custom-made to order. It can feature location-specific information. For example ads, sponsored logos, training schedules, or a link to the KOMPAN App. With the information printed on the inside of 6 mm polycarbonate sheets, the Freestanding Sign is vandalism-proof.

Freestanding Sign

FAZ401



with custom red posts



Welcome to KOMPAN Fitness
Please read, and then and only use if you are 13+ years old.
If you are not 13+ years old, please do not use.
Age 13+ Caution: Not intended for children.
The KOMPAN app is not intended for use by children under 13 years of age. It is not intended for use by children with any medical conditions or physical disabilities. In case of doubt, please consult your doctor before use.

Free Personal Trainer
Fitness is fun and easy with the KOMPAN app. See the app as your personal trainer: always within reach, motivating you to get the best out of yourself. The fitness app offers you a range of exercises for a fit and healthy life.

Advantages of the KOMPAN Sport & Fitness App

- Easily find your nearest KOMPAN outdoor fitness location
- Get advice for your workout
- Create your own custom workout
- Store all your activities and keep track of your progress
- Communicate with other users of outdoor fitness and challenge them
- Earn badges with your results

Download in App Store or Google Play to get started.

566726

Side 2

Item no. FAZ401	
Installation Information	
Max. fall height	0"
Safety surfacing area	0 ft ²
Number of installers	2
Total installation time	2.3
Excavation volume	0.10 yd ³
Concrete volume	0.12 yd ³
Footing depth (standard)	2'11"
Shipment weight	221 lbs
Anchoring options	In-ground <input checked="" type="checkbox"/> Surface <input checked="" type="checkbox"/>
Warranty Information	



Turnkey solution

Installation

Building a fitness site is a major construction. From clearing the area for foundations, to finishing off the site, it involves heavy equipment, extensive materials, complex products and expert knowledge. These factors must be precisely coordinated to avoid mistakes and delays. Let our experienced and KOMPAN certified installation teams take care of the installation for you.



Project management team

At KOMPAN we are ready to take the burden off your shoulders and be your partner in the planning as well as in the execution.

Our dedicated local project managers will manage your project from start to finish to ensure a successful completion – in time for the opening of your new fitness area.

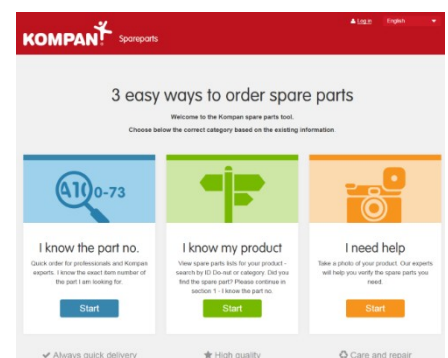


After sales and support

Our after sales staff act as a direct point of contact for any questions concerning spare parts identification, order and claims processing, and will ensure speedy dispatch of replacement parts to minimize disruption to your play or fitness area.

We also offer an easy to use web tool for the ordering of spare parts:

<https://spareparts.kompan.com>



WARRANTY

WE HAVE INDUSTRY-LEADING WARRANTIES



LIFETIME* Warranty

- Hot-Dip galvanized parts
- Stainless steel parts
- EcoCore™ and other high-density polyethylene (HDPE) parts

15-year warranty

- High-pressure laminate (HPL) parts
- Aluminum parts

10-year warranty

- Painted surface on galvanized or aluminum metal parts
- Pre-galvanized posts with painted top layer
- Electro galvanized metal parts
- Solid plastic parts
- Wood-plastic composite parts
- Robinia, Siberian larch, pine, & other wood types
- Stainless Steel Slides
- Transparent Poly Carbonate (PC) parts
- Hollow plastic parts
- Rope and net constructions

5-year warranty

- Resin coated plywood parts
- Springs & ball bearing assemblies
- Graphic print on transparent PC panels
- Concrete parts
- Galaxy connection balls

2-year warranty

- Moveable plastic & metal parts
- Rubber membranes
- Screens and electronic parts
- Sunshades & sail solutions

KOMPAN's LIFETIME warranty is in effect for the lifetime of the product until the product is uninstalled and/or taken out of use. In addition, KOMPAN's general terms & delivery conditions apply and supplement this warranty.

WARRANTY COVERAGE

This warranty applies to KOMPAN's products and spare parts for the time periods described for each product type above and with the limitations described in this warranty. The warranty period applies from the date of purchase by the first customer. This warranty covers only defects in materials. KOMPAN's liability under this warranty is limited to repair or replacement of defective products, without charge, at KOMPAN's discretion. Defective electronic components will be delivered and changed by a KOMPAN ICON Professional installer free of charge.

PROPER INSTALLATION AND MAINTENANCE

The warranty only applies if KOMPAN's products have been installed according to the instructions provided by KOMPAN and maintained correctly according to the KOMPAN Maintenance Manual. The warranty for the ICON electrical components are dependent on those products being installed by an ICON trained and approved installer.

WARRANTY EXCLUSIONS

This warranty does not cover any damage caused by accident, improper care, negligence, normal wear and tear, surface corrosion on metal parts, discolored surfaces and other cosmetic issues or failures due to misuse or vandalism. Natural changes in wood over time are considered cosmetic issues and not covered.

SAFETY STANDARDS

In the interest of playground safety, the International Play Equipment Manufacturers Association (IPEMA) provides a Third Party Certification service whereby a designated independent laboratory, TOV SUD Ameca Inc., (TUV), validates an equipment manufacturer's certification of conformance to the ASTM F1487 standard Consumer Safety Performance Specification for Playground Equipment for Public Use, except sections 7.1.1, 10, 13.1.1, 13.1.2, 13.2, and 13.3; to CAN/CSA Z614 Children's Playplaces and Equipment, except clauses 10 and 11; or both. A list of current validated products and components may be viewed at www.ipema.org.

NEAR WATER INSTALLATIONS

Products installed in direct contact with chlorinated water or saltwater (waterparks), or products installed within 650 feet from the shore are not covered by the KOMPAN warranty for any defects caused by corrosion.

Specially designed products (handled Variant department for customized products and upgraded to corrosion class C4) installed within 650 feet from the shore will be covered by 5 years of warranty in relation to structural defects caused by corrosion.

THIRD-PARTY SUPPLIED PRODUCTS & SERVICES

KOMPAN provides non-KOMPAN branded products and installation services performed by certified third-party suppliers.

This general KOMPAN warranty does not apply to such non-KOMPAN branded products and installation services, which may carry their own warranties. KOMPAN will pass on information on such warranties where possible.

FREIGHT AND WAREHOUSING

Global transport and logistics arranged by KOMPAN appointed forwarder. Products/items are not to be stored outside waiting for installation and must be kept dry at all times.



General Assumptions

- Pricing is based on all equipment being direct delivery to the project address identified in KOMPANs Sales Proposal (SP).
- Placement of order into fabrication is contingent with deposit being received by KOMPAN as agreed to during the pricing phase.
- If cost proposal is to be considered as Tax-Exempt a current tax exemption form must be provided or on file at KOMPAN main office.
- Customer shall provide a lay down area for deliveries of materials within proximity of final installation site. Site access must be clear and unobstructed with at least ten (10') foot wide access to allow delivery of materials. Any size restrictions contributing to additional handling or downsizing of deliver trucks shall be addressed as a change of conditions and will be invoiced as additional costs to the customer.
- Installation site must be level to no more than one (1") inch in then (10') feet slope or change in elevation over the full length and width of the area.
- Price assumes NO overhead obstructions within thirteen feet, six inches (13'-6") or lower and NO underground utilities or obstructions within the footprint.
- Soils are to be suitable for the installation of all playground equipment and surfacing and compacted to 95% compaction prior to installation crews arriving on-site.
- All underground utilities, boulders, rock ledge or other obstructions not visible without subsurface investigation shall be considered "unforeseen conditions", all costs shall be invoiced to the customer as a change order to the contract.
- All spoils generated during the excavation of footings shall be disposed of on site at no cost to KOMPAN.
- Customer to provide at no additional costs a 120 V (15 amp) power source and standard hose bib connection for water supply within one hundred (100') feet from work site.
- Customer shall have removed all existing equipment or obstacles from playground area prior to the arrival of the installation crews.
- Time is of the essence in the installation of all materials delivered to project site. KOMPAN shall have delivered all equipment and materials as scheduled to project site. If delays to the installation schedule accrue outside KOMPANs control equipment shall be delivered to project site as scheduled and equipment and materials invoiced at the time of delivery. Unless additional storage arrangements are made in writing between Customer and KOMPAN, additional costs may apply. Unloading of equipment and materials shall be performed by the installation crews at the time of installation. If site is not ready for installation by cause outside of KOMPAN, it will be the responsibility of the Customer to off load and store equipment and materials at the project site. KOMPAN shall not be held liable for offloading costs, storage fees or equipment damage.
- If site requires installation of a drainage system within the proposed playground area, playground equipment footing shall be installed prior to the installation of the drainage system and playground footing locations shall take precedence over drainage system requirements.
- Site layout and dimensions shall be based of KOMPANs 2D drawing or CAD drawings. Customer to provide site "benchmark" to be used for layout and final elevation calculations.
- Unless otherwise noted on KOMPAN's SP, proposal assumes that there are no Prevailing Wages requirement on the project.
- Any additional costs which maybe incurred during installation shall be negotiated between Customer and KOMPAN in writing prior to the start of additional work. If written approval is not received during the time the installation crews are on-site, additional mobilization costs will apply.

Exclusions (Unless Explicitly Stated in KOMPAN Sales Proposal)

- Stamped engineered drawings or costs to secure permits are not included, if required these costs will be added as a change order payable to Kompan.
- Demolition and off-site disposal of any existing equipment or site amenities.
- Any sitework, including but not limited to grading, excavation outside playground equipment footing and soils compaction and testing.
- Concrete work outside of play equipment footing requirements.
- Relocation of any existing equipment.
- Any required drainage system for playground area.
- Third party testing of materials and playground installation.
- Site landscaping or trimming of vegetation encroaching within the play equipment and safety zones
- Play area surfacing and base materials if not noted in KOMPAN proposal.
- Installation of Poured in Place surfacing does not include the use of aliphatic binder, solid or custom colors.
- Site security during Poured in Place surfacing cure time and any vandalism which may accrue during surfacing cure time.
- Borders for play area surfacing containment
- Any required retaining walls for proposed play area.
- Site storage for equipment.
- Site safety fencing beyond standard four (4') foot orange construction fencing
- Utilities site location services and/or relocation of any underground utilities
- On site dumpster for disposal of shipping containers and general construction debris